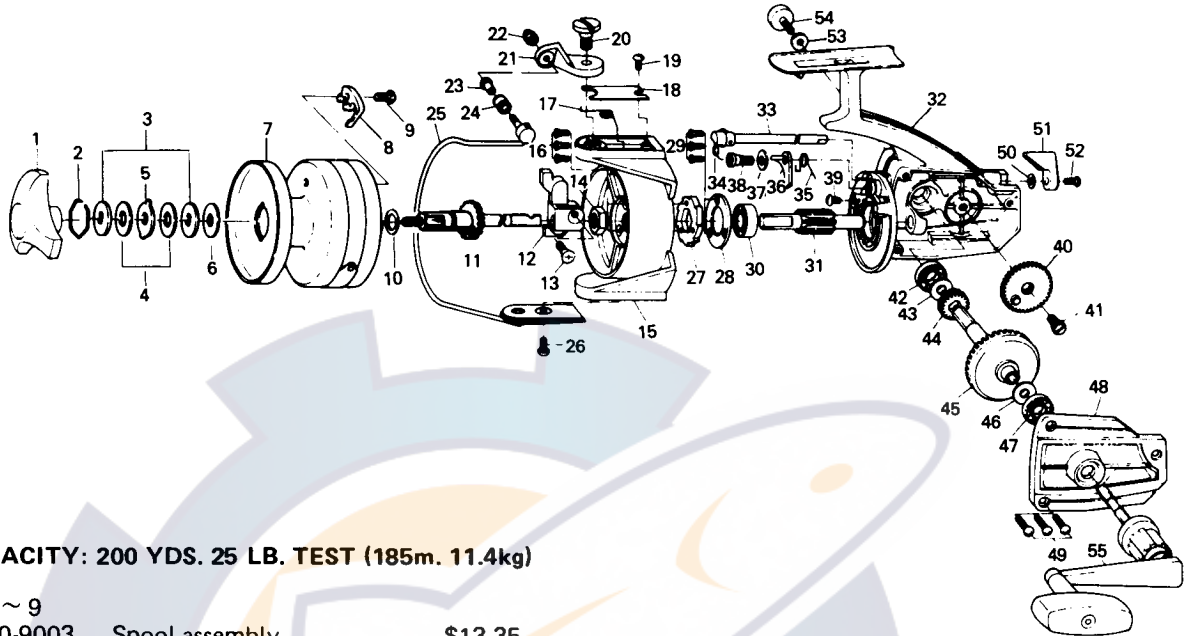


SPINNING REEL **7000C**



LINE CAPACITY: 200 YDS. 25 LB. TEST (185m. 11.4kg)

Key No. 2 ~ 9

6-730-9003 Spool assembly \$13.35

Key No.	Parts No.	Parts Name	Price Per Piece	Key No.	Parts No.	Parts Name	Price Per Piece
1	6-000-8232	Drag knob	\$2.15	29	6-351-8901	Ball bearing ret. washer screw	\$.10
2	6-170-4101	Drag washer retainer	.10	30	6-635-5001	Ball bearing	4.25
3	6-372-3711	Drag D washer	.40	31	6-401-6401	Pinion gear	2.55
4	6-372-6504	Disc washer	.40	32	6-700-1409	Body	10.00
5	6-372-3832	Drag A washer	.10	33	6-710-1821	Anti-reverse cam	1.20
6	6-372-3003	Drag washer A	.20	34	6-142-3511	Anti-reverse cam spring	.10
7	6-731-0901	Spool	N/A	35	6-142-3421	Anti-reverse claw spring	.15
8	6-030-4411	Spool click claw	.15	36	6-110-9501	Anti-reverse claw	.55
9	6-351-6101	Spool click claw screw	.10	37	6-373-2701	Anti-reverse claw washer	.10
10	6-372-9601	Spool washer	.10	38	6-362-4211	Anti-reverse claw screw	.25
11	6-710-6221	Main shaft	3.40	39	6-351-6101	Anti-reverse cam screw	.10
12	6-480-7601	Oscillating slider	.60	40	6-750-0411	Oscillating gear	1.10
13	6-351-9001	Oscillating slider screw	.10	41	6-361-9011	Oscillating gear screw	.20
14	6-340-8301	Rotor nut	.20	42	6-636-6001	Ball bearing	3.65
15	6-201-2003	Rotor	4.15	43	6-371-2822	Drive gear washer (A)	.10
16	6-351-8901	Ratchet screw	.10	44	6-401-6501	Oscillating pinion	.40
17	6-144-2201	Bail spring	.10	45	6-412-3201	Drive gear	3.10
18	6-634-6801	Bail spring cover	.15	46	6-371-2820	Drive gear washer (B)	.10
19	6-351-6101	Bail spring cover screw	.10	47	6-636-6001	Ball bearing	3.65
20	6-361-7011	Arm lever screw	.80	48	6-705-1408	Body cover	3.50
21	6-231-0601	Arm lever	1.50	49	6-351-8801	Body cover screw	.10
22	6-340-8501	Bail nut	.40	50	6-372-9911	Anti-reverse lever washer	.10
23	6-500-7121	Roller collar	.25	51	6-540-8201	Anti-reverse lever	.20
24	6-250-2802	Line roller	.40	52	6-351-1801	Anti-reverse lever screw	.10
25	6-720-0212	Bail	3.60	53	6-372-3501	Handle washer	.10
26	6-351-6401	Bail holder screw	.10	54	6-361-2211	Handle screw	.05
27	6-280-4001	Ratchet	1.00	55	6-746-8901	Handle	6.25
28	6-633-1101	Bail bearing ret. washer	.25				